

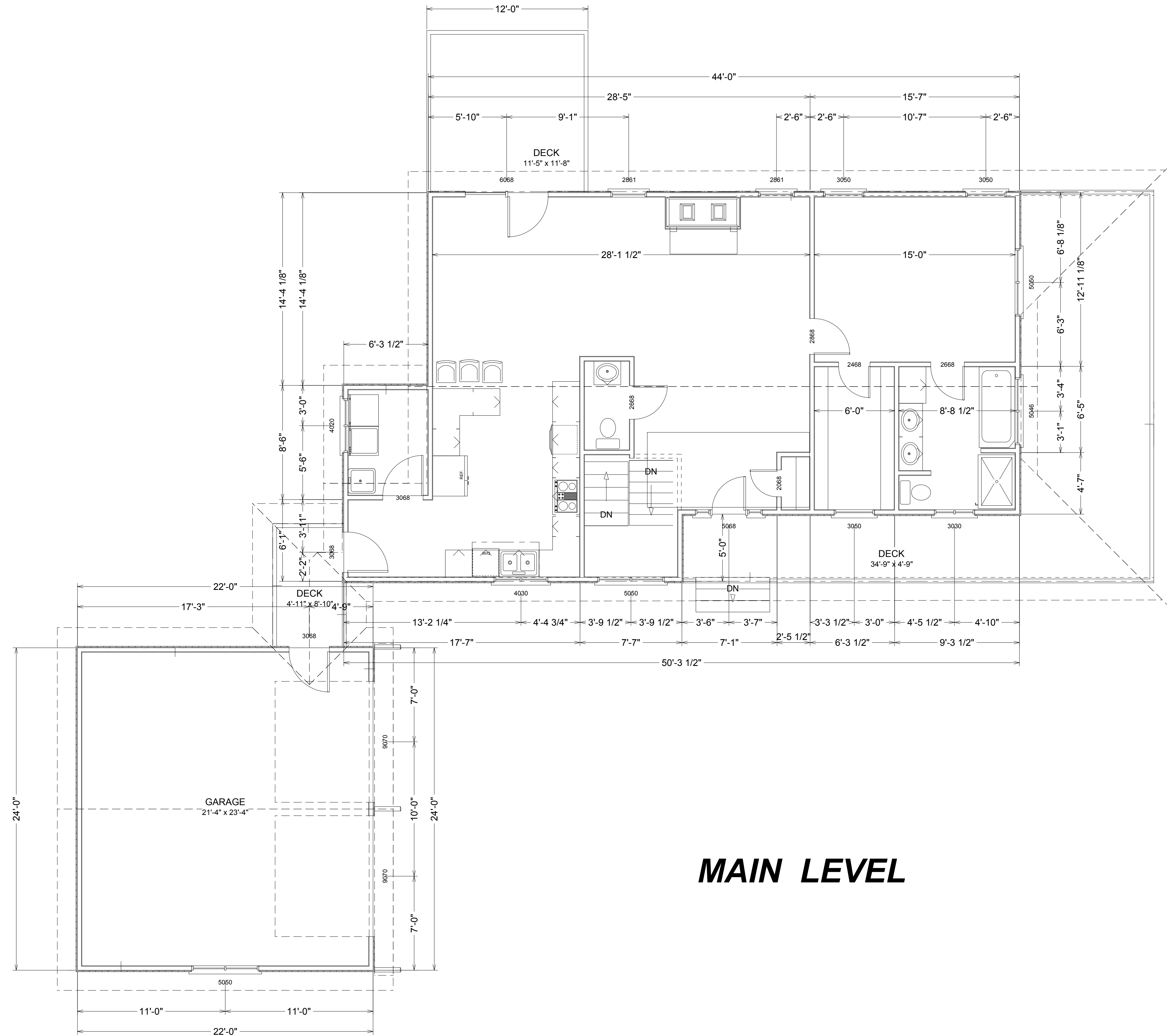
SCALE: 1/4" = 1'0"

EWING & McCONAUGHY
3161 OLD US 70 EAST
BLACK MOUNTAIN, NC 28711
828-6691133

BRAAKMAN HOUSE

JUNE 18, 2010

A1



MAIN LEVEL

SCALE: 1/4" = 1'0"

A PROJECT FOR:

BRAAKMAN HOUSE

JUNE 18, 2010

EWING & McCONAUGHY
 3161 OLD US 70 EAST
 BLACK MOUNTAIN, NC 28711
 828-6691133

A2



FRONT ELEVATION



REAR ELEVATION

SCALE: 1/4" = 10"

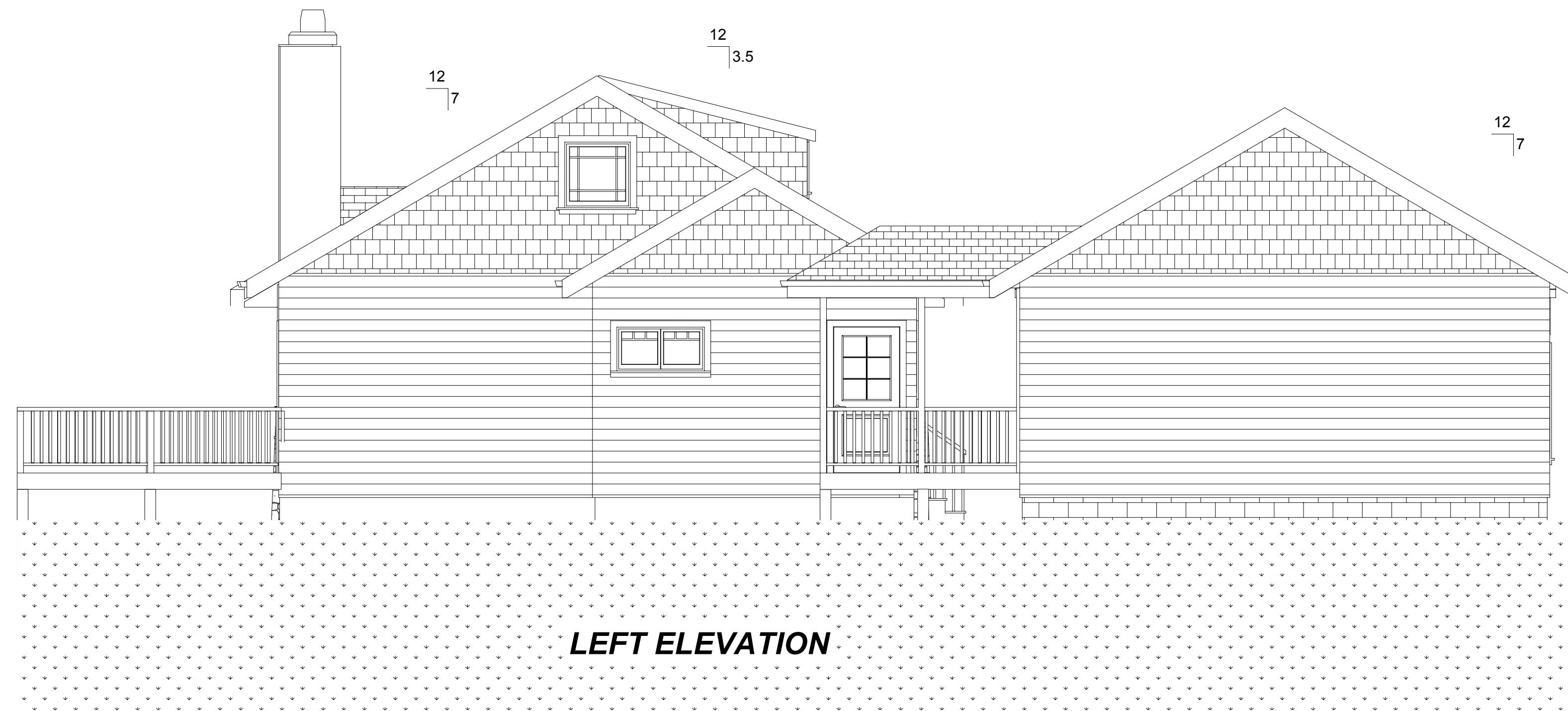
EWING & McCONNAUGHY
3161 OLD US 70 EAST
BLACK MOUNTAIN, NC 28711
828-6691133

BRAAKMAN HOUSE

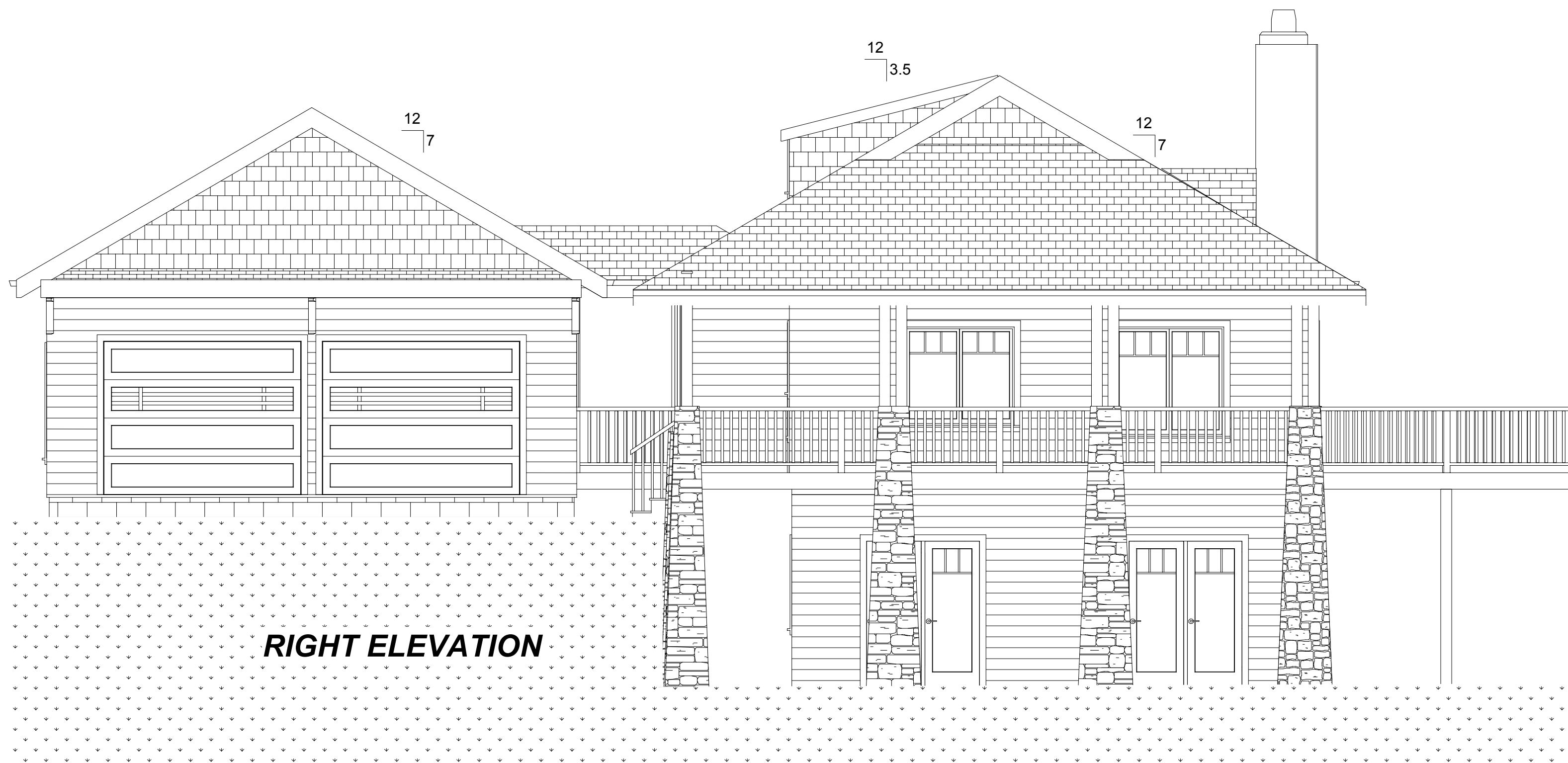
JUNE 18, 2010

A3

A PROJECT FOR:



LEFT ELEVATION



RIGHT ELEVATION

SCALE: 1/4" = 1'0"

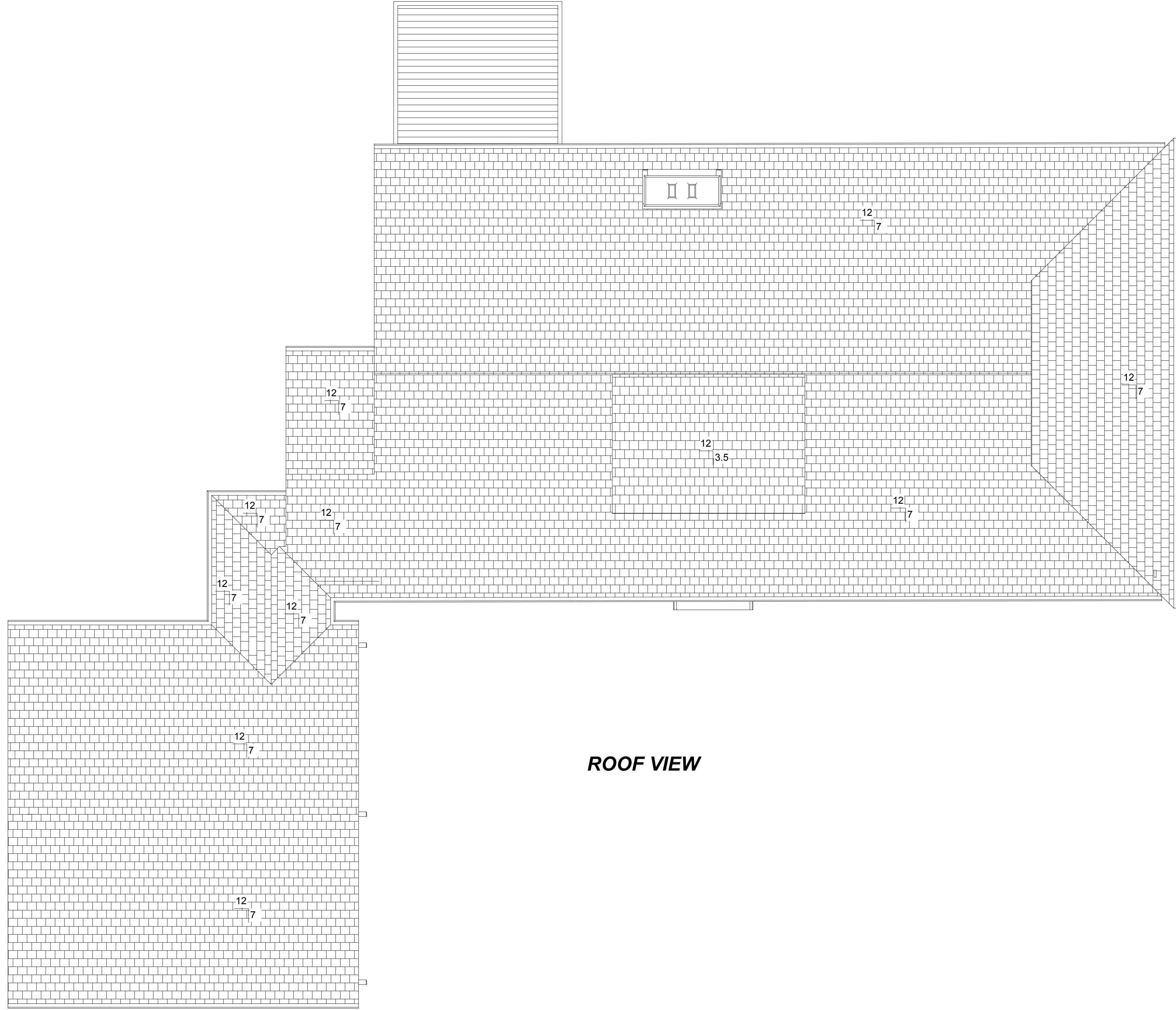
EWING & McCONNAUGHY
 3161 OLD US 70 EAST
 BLACK MOUNTAIN, NC 28711
 828-6691133

BRAAKMAN HOUSE

JUNE 18, 2010

A4

A PROJECT FOR:



ROOF VIEW

SCALE: 1/4" = 1'0"

EWING & McCONAUGHY
 3161 OLD US 70 EAST
 BLACK MOUNTAIN, NC 28711
 828-6691133

BRAAKMAN HOUSE

JUNE 18, 2010

A5

A PROJECT FOR:

EWING & McCONAUGHY
 3161 OLD US 70 EAST
 BLACK MOUNTAIN, NC 28711
 828-6691133

BRAAKMAN HOUSE

JUNE 18, 2010

A PROJECT FOR:

TRUSS NOTES:

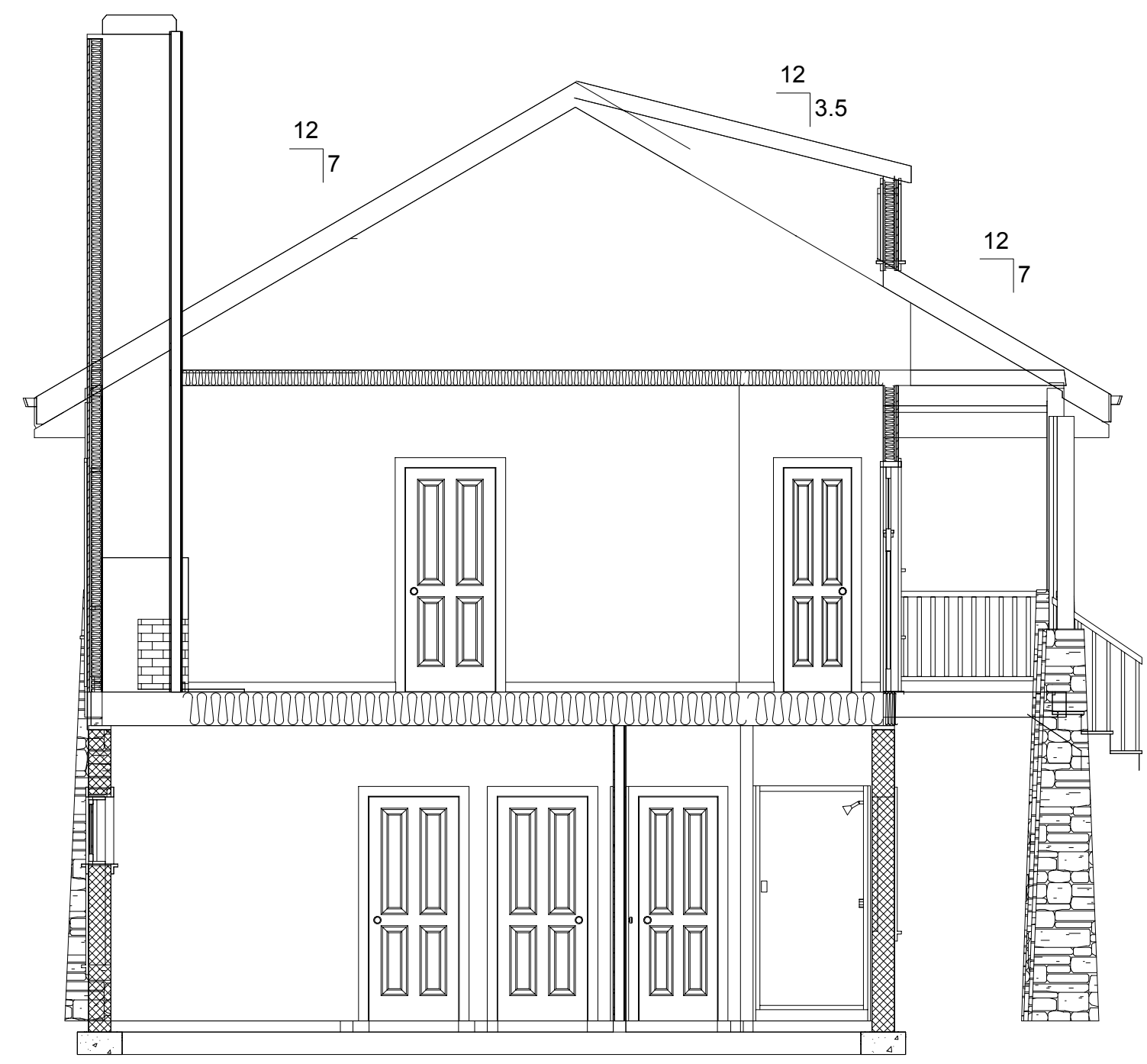
1. ALL TRUSSES SHALL CARRY MANUFACTURERS STAMP.
2. ALL TRUSSES SHALL BE INSTALLED & BRACED TO MANUFACTURERS SPECIFICATIONS.
3. ALL TRUSSES WILL NOT BE FIELD ALTERED WITHOUT PRIOR BUILDING DEPT. APPROVAL OF ENGINEERING CALCULATIONS.
4. ALL TRUSSES SHALL HAVE DESIGN DETAILS & DRAWINGS ON SITE FOR FRAMING INSPECTION.
5. NON BEARING WALLS SHOULD BE HELD DOWN FROM THE TRUSS BOTTOM CHORD W/ SIMPSON STC TO INSURE THAT THE TRUSS BOTTOM CHORD WILL NOT BEAR ON THE WALL.
6. ALL CONNECTIONS OF RAFTERS, JACK OR HIP TRUSSES TO MAIN GIRDER TO BE PROVIDED BY TRUSS MANUFACTURE.
7. ALL ROOF FRAMING 24" O.C.
8. ALL ROOF PITCH 7:12
9. SCISSORS TRUSS CEILING PITCH 4:12.
01. ALL OVERHANGS 16".

ATTIC VENTILATION:
 AREA / 300

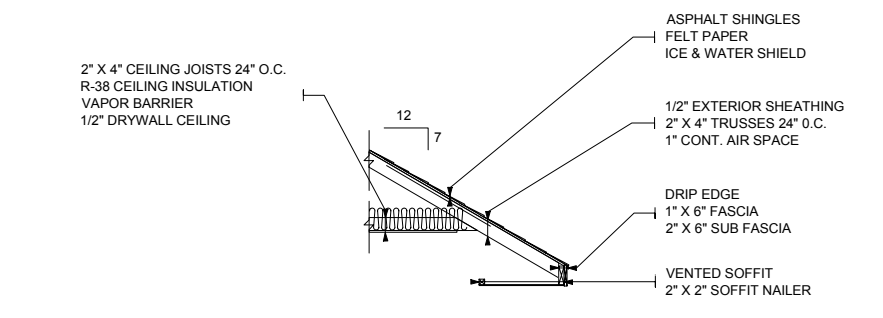
PROVIDE 1" MIN. AIR GAP AT EAVES WITH INSULATION BAFFLES TYP. AT ALL TRUSS BAYS.

PROVIDE GABLE VENTS ALL GABLE ENDS.

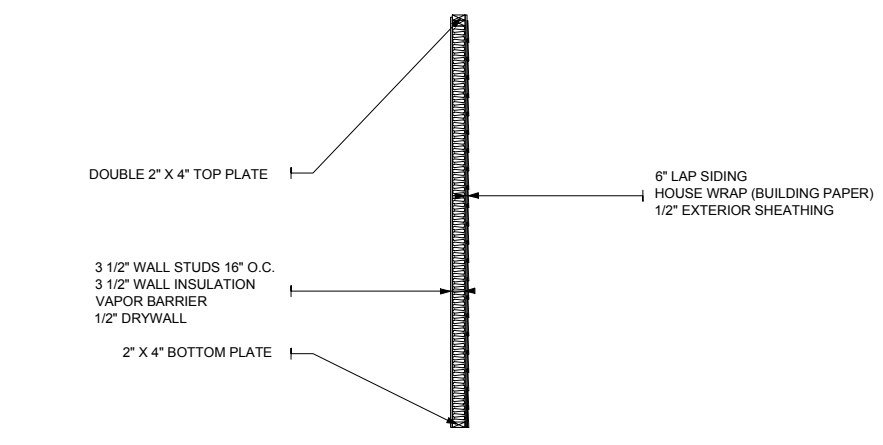
PROVIDE GALV. ROOF VENTS ON BACKSIDE OF ROOFLINE ABOVE CONDITIONED AREA.



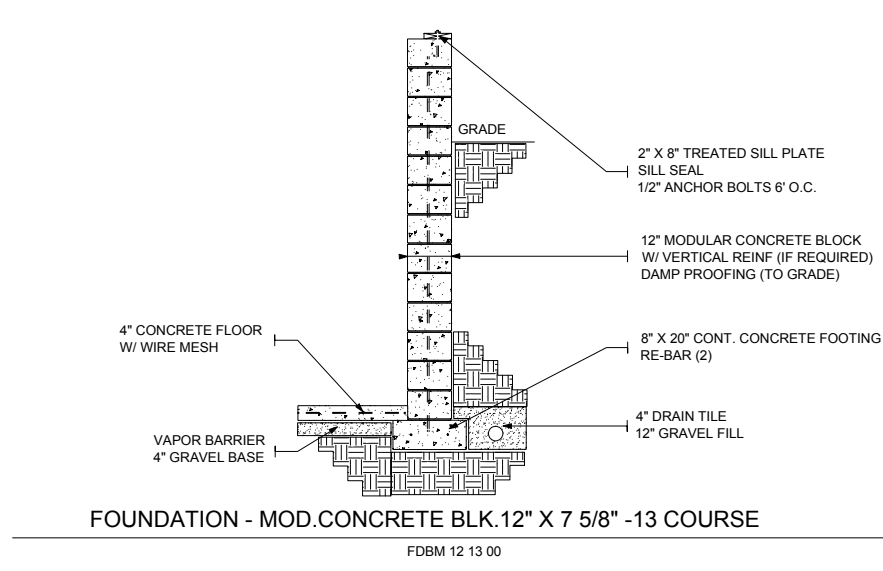
CONSTRUCTION NOTES & CROSS SECTION



ROOF SYSTEMS - 2" X 4" TRUSSES, 7/12 PITCH, 16" OVERHANG
 RTR 04 09P 24



WOOD WALL SYSTEM - 2" X 4" X 9' STUDS W/ 6" LAP SIDING
 WEX LP# 08 08 5



FOUNDATION - MOD. CONCRETE BLK-12" X 7 5/8" -13 COURSE
 FDBM 12 13 00

SCALE: 1/4" = 1'0"